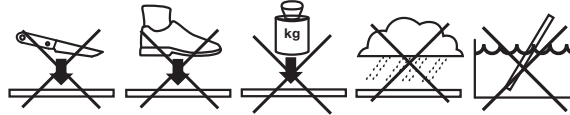


Quick Start Guide

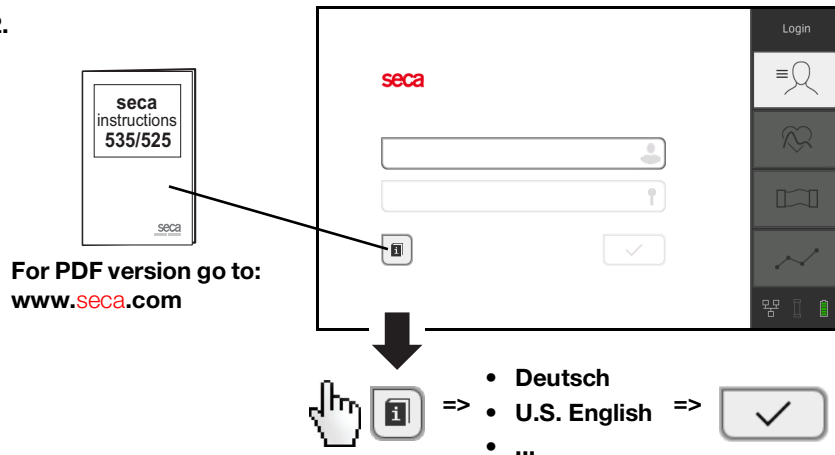
seca mBCA 525

- Sicherheitshinweise • Safety precautions
- Consignes de sécurité • Avisos de seguridad
- Правила безопасности • 安全提示 • 安全上のご注意

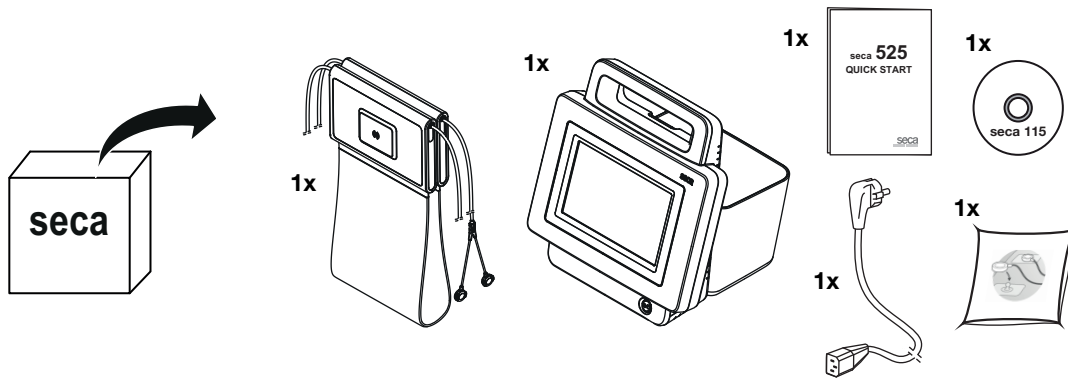
1.



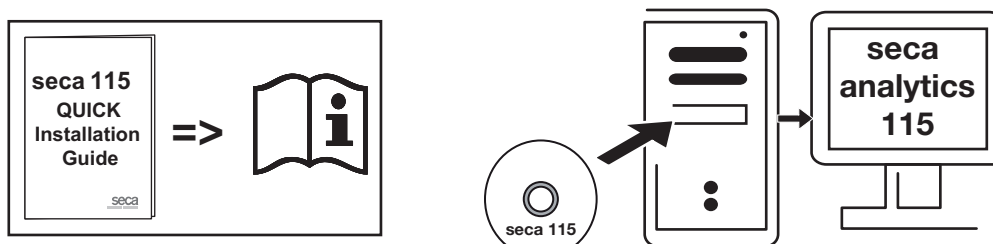
2.



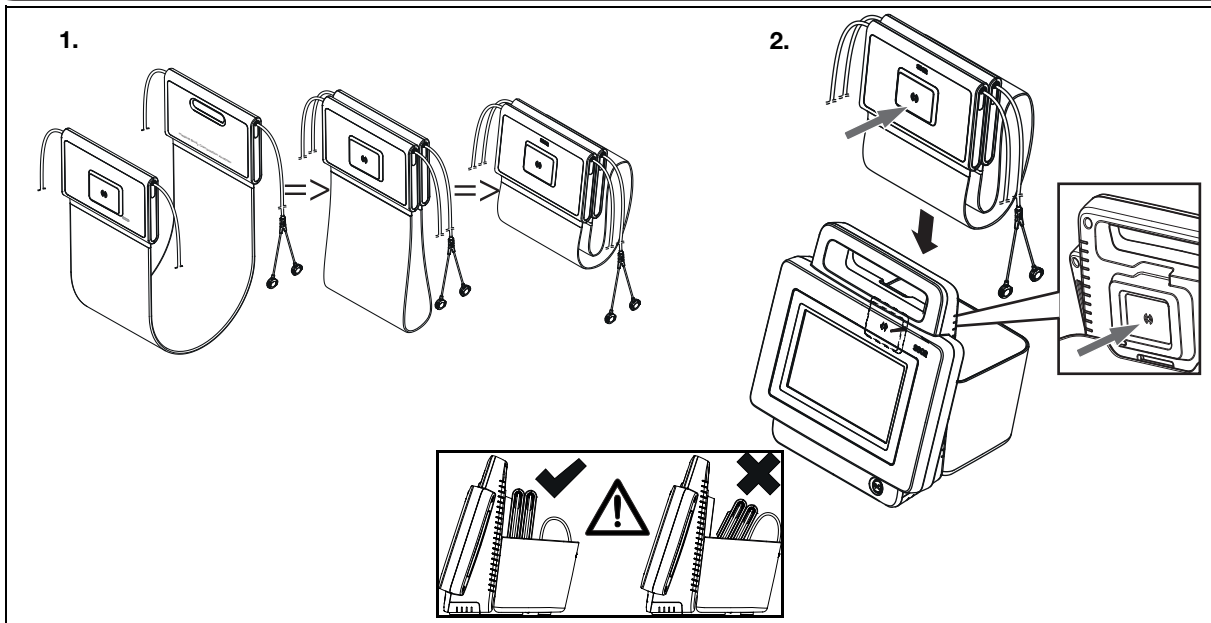
- Lieferumfang • Scope of Supply
- Éléments livrés • Volumen de suministro
- Комплект поставки • 供货范围 • 同梱物



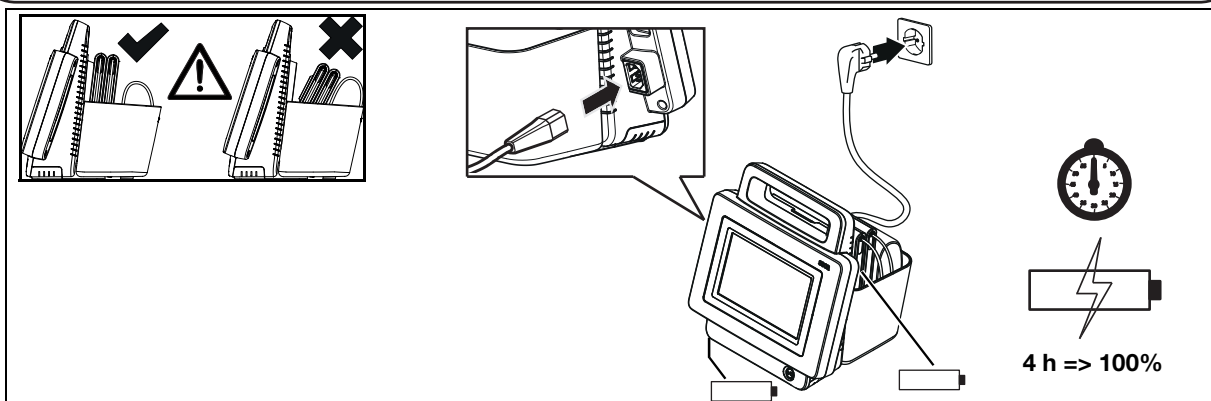
- seca analytics 115 installieren • Installing seca analytics 115
- Installer seca analytics 115 • Instalar seca analytics 115
- Установка seca analytics 115 • 安装 seca analytics 115 • seca analytics 115 のインストール



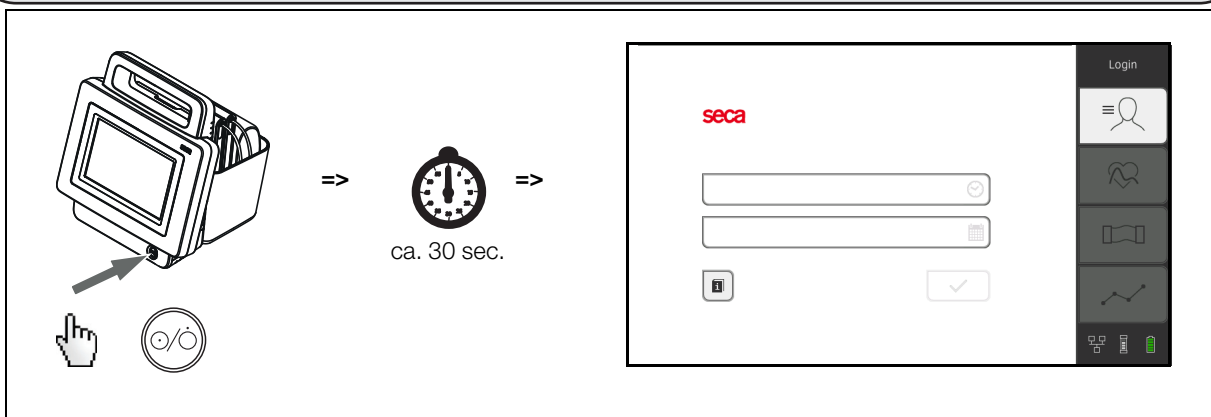
• Messmatte in Köcher einhängen • Placing measuring mat in storage compartment • Placer la toise-tapis dans l'étui de rangement • Colocar la estera de medición en el soporte • Расположение измерительного коврика в контейнере
• 将测量垫挂入皮套 • 測定マットをクイーパーにかける



• Akkus laden • Charging Batteries
• Charger les piles • Cargar las baterías
• Зарядка аккумулятора • 对蓄电池充电 • 充電電池の充電



• System starten • Starting the system
• Démarrer le système • Iniciar el sistema
• Запуск системы • 启动系统 • システム起動



• Nach erstem Systemstart: Datum/Uhrzeit einstellen • Following initial system start: set Date/Time • Après le démarrage initial du système : régler la date/l'heure • Después del primer inicio del sistema: ajustar fecha/hora • После первого запуска системы: настройка даты/времени • 在首次系统启动后: 设置日期 / 时间 • 初回起動時: 日付 / 時刻の設定

1. [Calendar icon] => [Calendar keypad] => [Back arrow]

2. [Clock icon] => [Calendar keypad] => [Back arrow]

3. [Checkmark icon]

seca Login

1. 05:59:24

2. 05.04.2015

3. [Checkmark]

• Nach jedem Systemstart: Login • Following every System start: Login • Après chaque démarrage : login • Después de cada inicio del sistema: iniciar sesión • После каждого запуска системы: учетная запись • 在每次系统启动后: 登录 • 毎回の起動後: ログイン

seca Login

1. [User icon] => admin

2. [Key icon] => 1357 => [Back arrow]

Change password

Enter new password

Repeat new password

Save

Administer user database

Name	Role
admin	Admin
service	Service
user	Physician

Logout

Users

System

Settings

Peripherals

Reset

- **Gebrauchsanweisung ansehen** • **View instructions for use**
- **Accéder au mode d'emploi** • **Consultar las instrucciones de uso**
- **Просмотр инструкции по эксплуатации** • **查看使用说明** • **取扱説明書の閲覧**

For PDF version go to:
www.seca.com

The diagram illustrates the user interface for viewing instructions on a mobile device. It starts with a login screen for the 'seca' app. Below this, a language selection menu is shown with options for 'Deutsch', 'U.S. English', and others. A hand icon indicates the selection process. The main part of the diagram shows the 'INSTRUCTIONS FOR USE FOR SECA 535/SECA 525' screen. This screen contains a table of contents with links to various sections: Device description, Safety precautions, Device overview, Start up device, Operation, Hygiene treatment, Function check, Maintenance, What do I do if...?, Technical data, Optional accessories and spare parts, Disposal, Warranty, Declarations of conformity, and For administrators: Configure seca 535/seca 525. Below the table of contents, there is software version information (1.0 from Build 600) and an article number (17-10-05-353-002/05-2017 5). A 'NOTE' section follows. The interface also features navigation arrows, a home button, and a scrollable document view on the right side.

This device uses software known as „free“ or „open source“ software (FOSS). For details go to www.seca.com/opensource.

Medical Measuring
Systems and Scales
since 1840

17-10-05-349-100c_02-2022S

seca gmbh & co. kg
Hammer Steindamm 3–25
22089 Hamburg
Germany

T +49 40 20 00 00 0
F +49 40 20 00 00 50
E info@seca.com

seca operates worldwide
with headquarters in
Germany and branches in:
seca france
seca united kingdom
seca north america
seca schweiz
seca zhong guo

seca nihon
seca mexico
seca austria
seca polska
seca middle east
seca suomi
seca américa latina
seca asia pacific

seca danmark
seca benelux
seca lietuva
and with exclusive
partners in more than
110 countries.

All contact data at seca.com